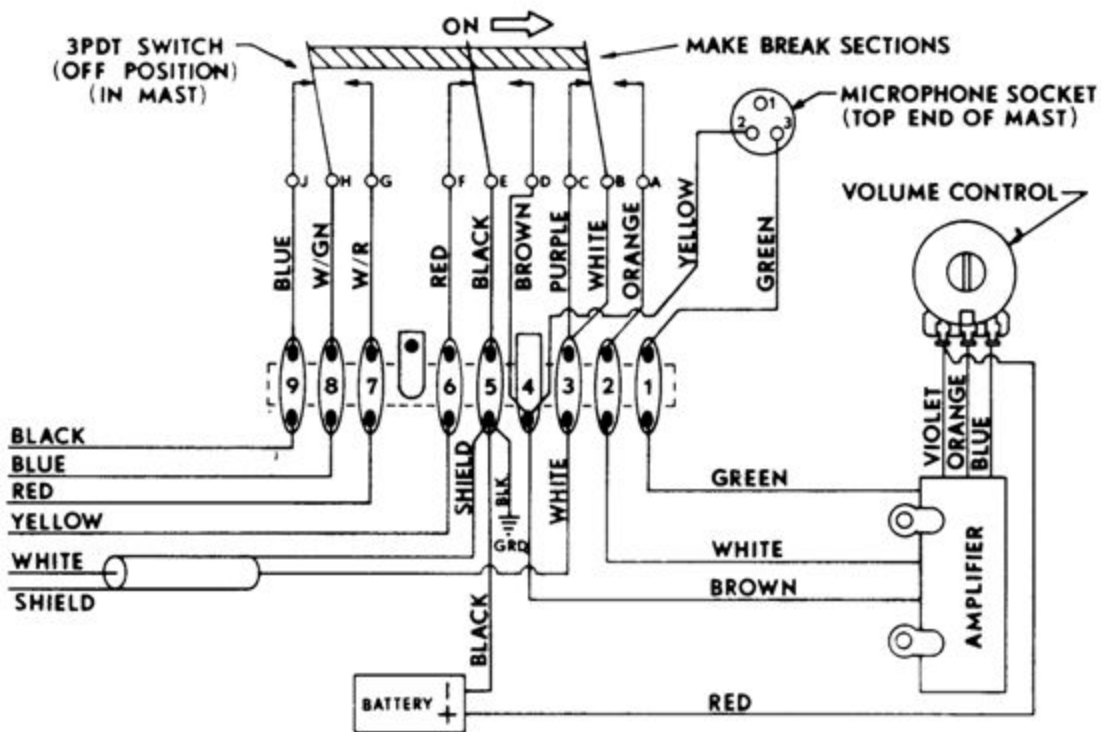
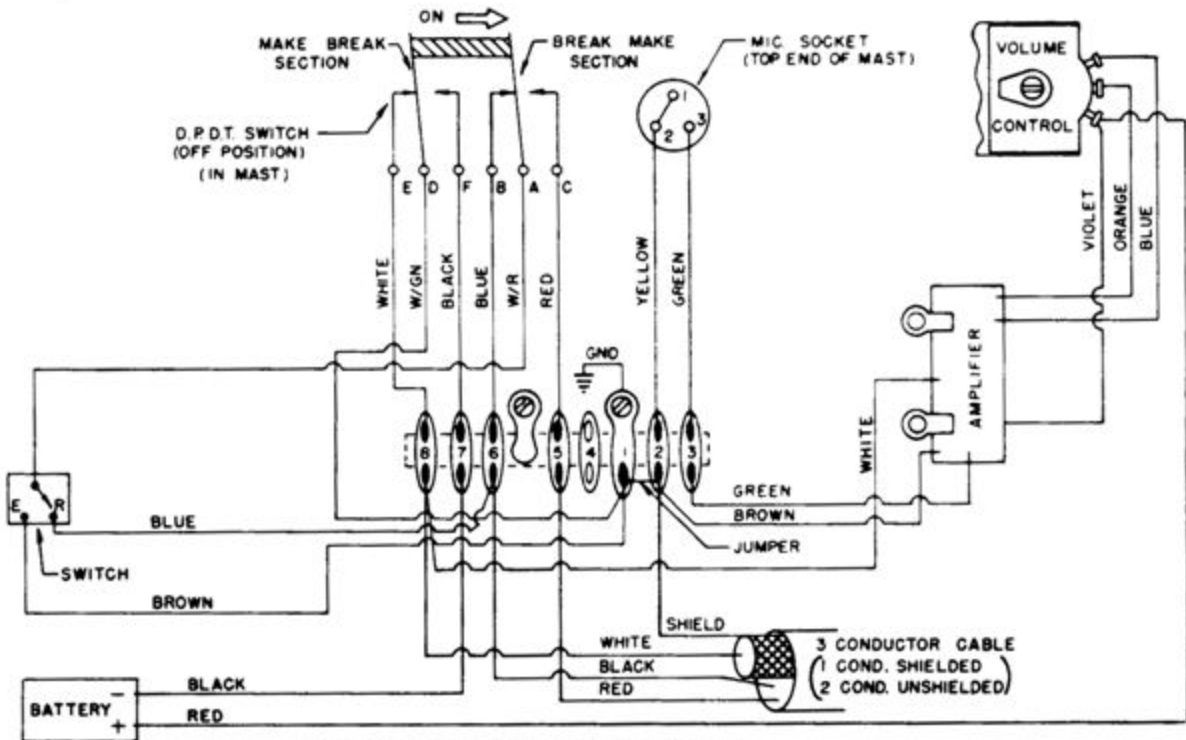


T-UP9 STAND SCHEMATIC



T-UG9 STAND SCHEMATIC



**T-UG8 STAND SCHEMATIC**

# Small Signal Transistors

TO-92 Case

## 2N2712

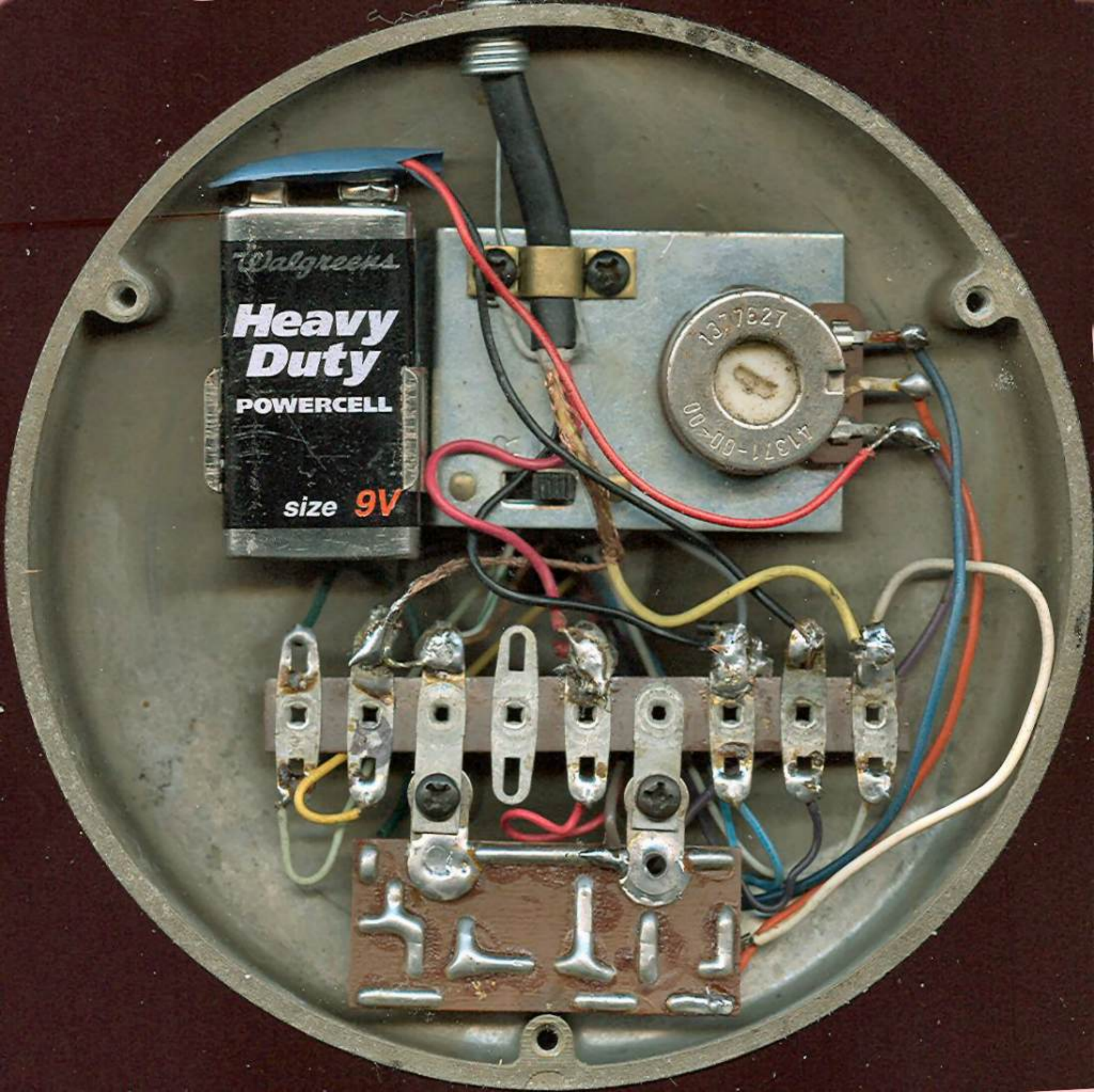
Front

View

ECB



TYPE NO.	DESCRIPTION	LEAD CODE	$V_{CB0}$	$V_{CE0}$	$V_{EB0}$	$I_{CB0} @ V_{CB}$	$h_{FE}$	$@ V_{CE} @ I_C$	$V_{CE(SAT)} @ I_C$	$C_{ob}$	$f_T$	NF	$t_{off}$	
			(V)	(V)	(V)	(nA)								(V)
			MIN	$^*V_{CES} MIN$	MAX	$^*I_{CES} MAX$	MIN	$^*h_{FE} MAX$			$^*C_{rb} MAX$	$^*TYP MIN$	MAX	MAX
2N2712	NPN AMP/SWITCH	ECB	18	18	5.0	500	75	250	--	--	12		28	--



Walgreens

**Heavy  
Duty**

**POWERCELL**

size **9V**

1377E27

41371-00-00